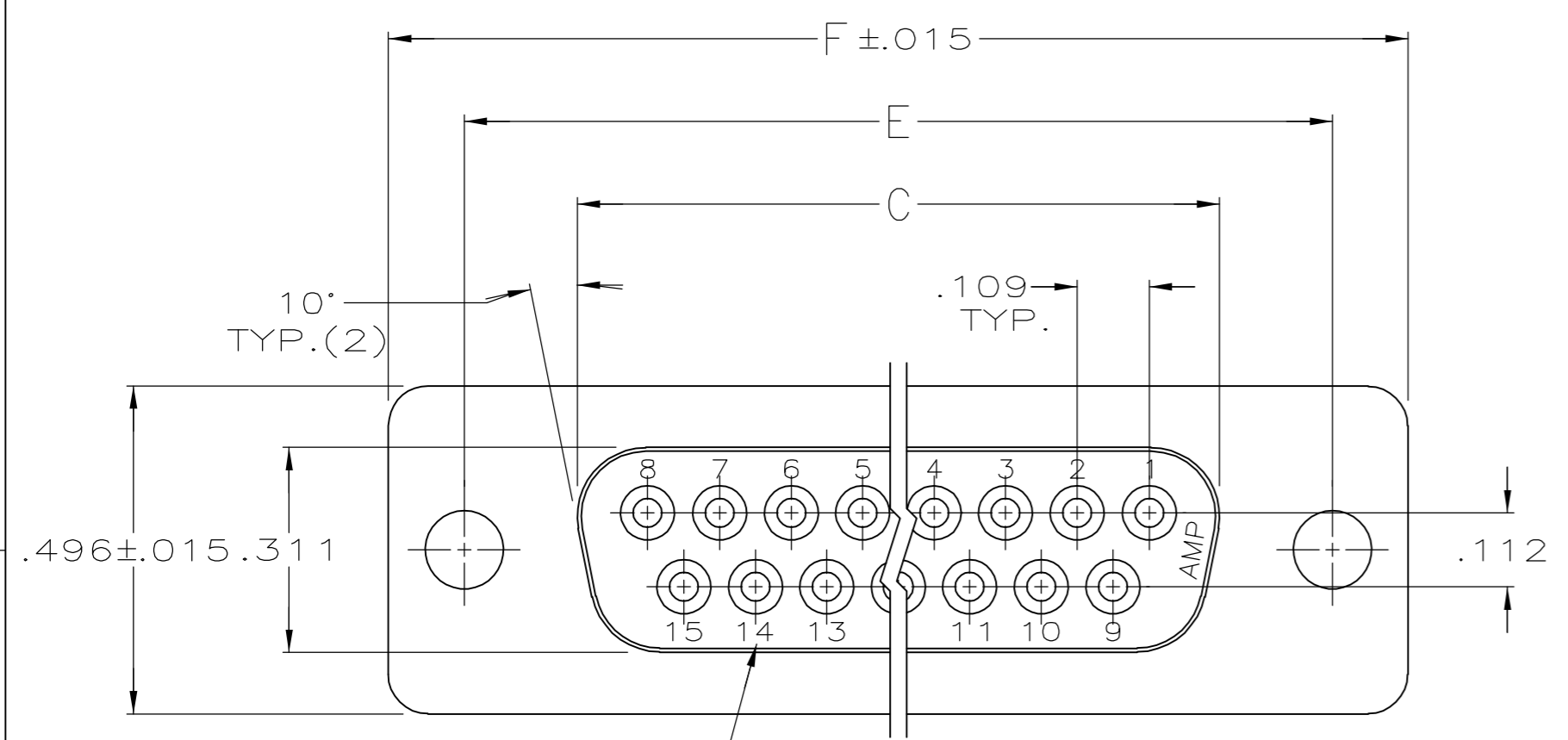
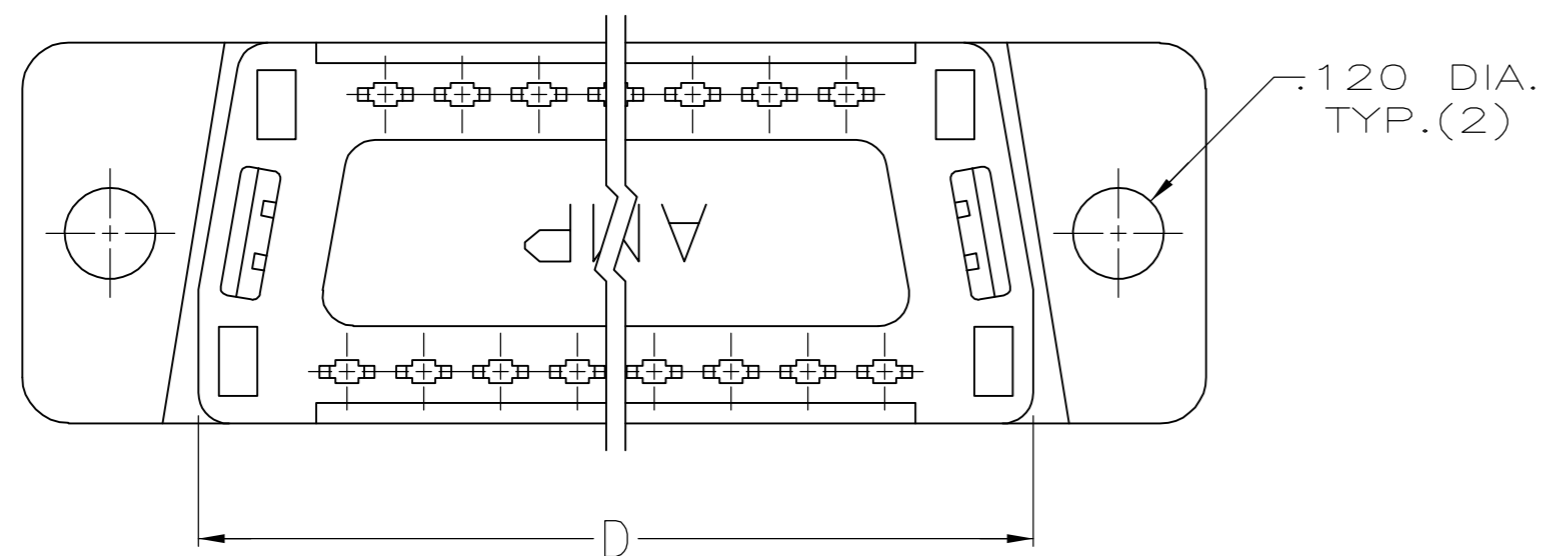
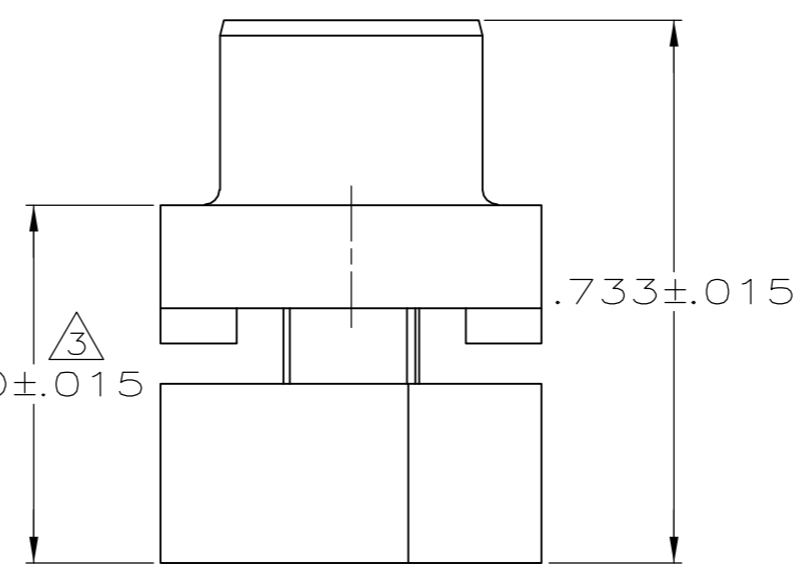
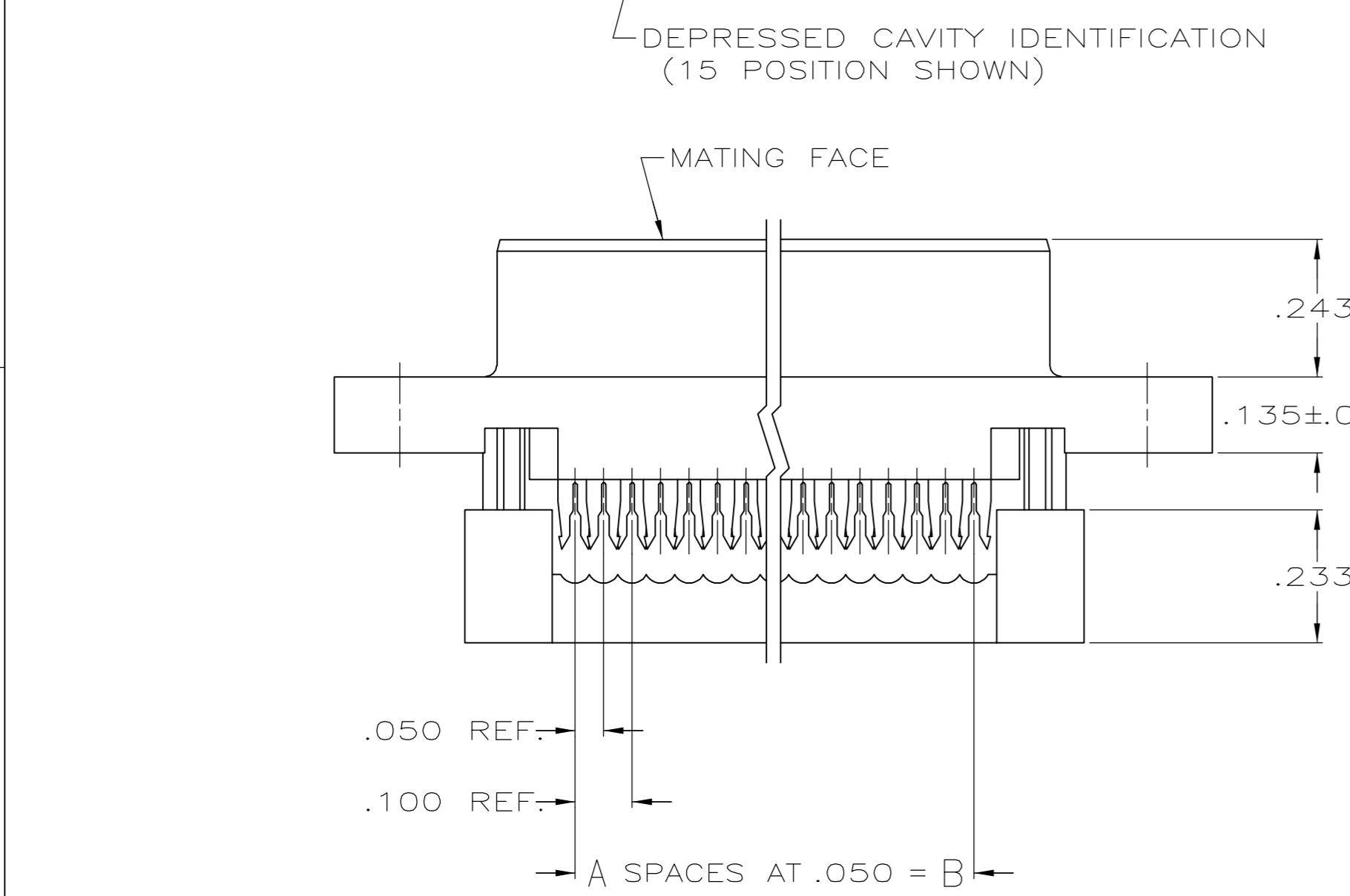


THIS DRAWING IS UNPUBLISHED. RELEASED FOR PUBLICATION
 © COPYRIGHT BY TYCO ELECTRONICS CORPORATION. ALL RIGHTS RESERVED.

LOC		DIST		REVISIONS			
P	LTR	DESCRIPTION		DATE	DWN	APVD	
GP	00	01	REVISED PER ECO-06-029297	21DEC06	JDP	CWR	



- CONNECTORS COMPLY WITH AMP SPEC. 108-40,012 AND MATE WITH ANY SAME NUMBER POSITION PLUG CONNECTOR IN AMPLIMITE SERIES.
- CONNECTOR DESIGNED FOR 28 AND 26 AWG STRANDED AND SOLID CONDUCTOR RIBBON CABLE ON $.050 \phi$.
- DIMENSION APPLIES TO TERMINATED CONNECTOR.
- MOLDED PARTS: FLAME RETARDANT 94V-0 RATED THERMOPLASTIC; COLOR: BLACK.
- CONTACTS: PHOS. BRONZE PER QQ-B-750.
- GOLD PLATING PER MIL-G-45204, TIN PLATING PER MIL-T-10727, NICKEL PLATING PER QQ-N-290
- CONTACTS: PLATED WITH $.000030$ GOLD IN LOCALIZED GOLD PLATE AREA, $.000100 - .000200$ MATTE TIN ON TERMINATION END, ALL OVER $.000050$ NICKEL ON ENTIRE CONTACT.



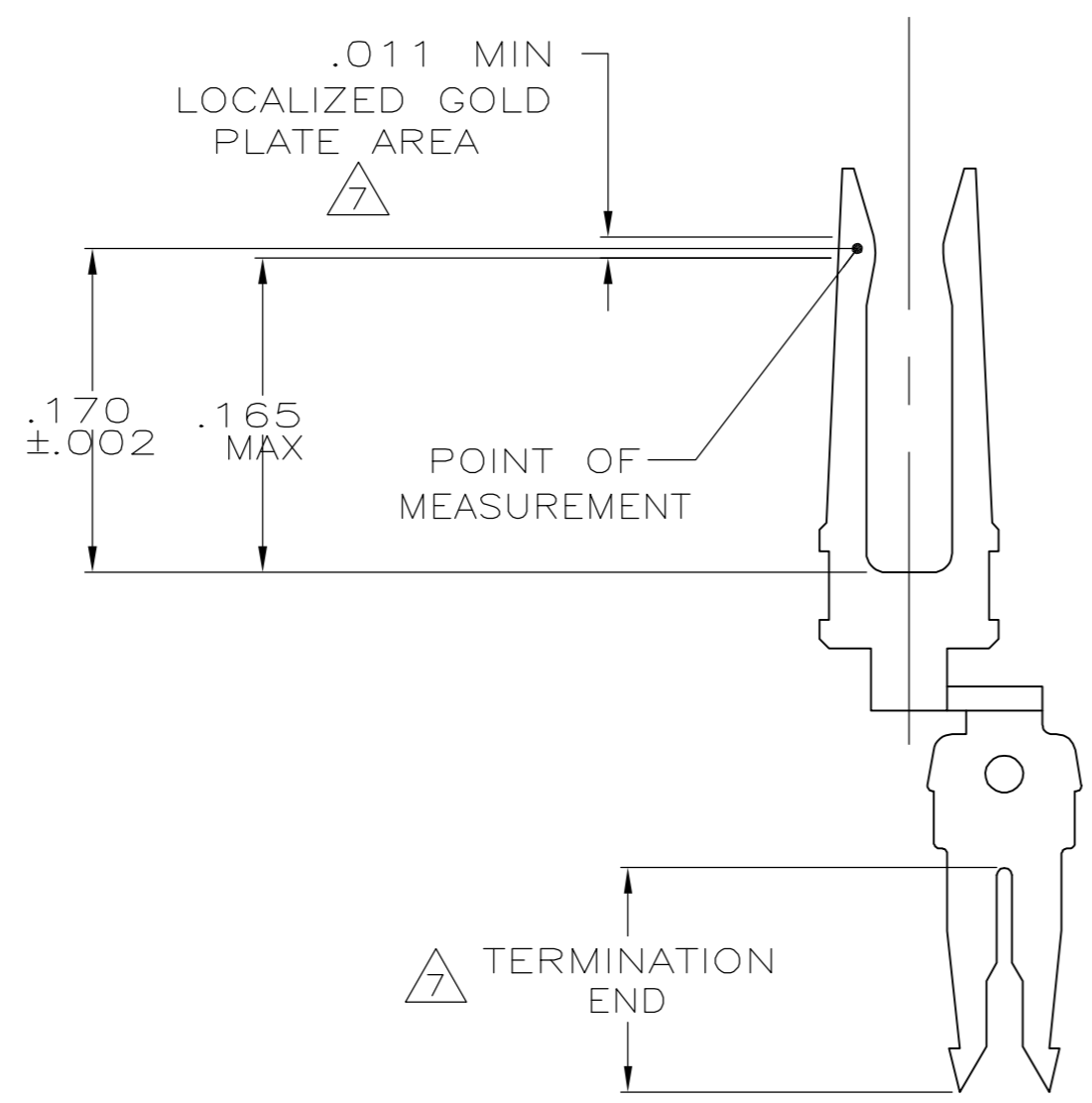
1.216	.984	.759	.643	.400	8	9	1658614-4
1.541	1.312	1.087	.971	.700	14	15	1658614-3
2.090	1.852	1.623	1.511	1.200	24	25	1658614-2
2.732	2.500	2.275	2.159	1.800	36	37	1658614-1
F	E	D	C	B	A	NO.OF POS.	PART NUMBER

THIS DRAWING IS A CONTROLLED DOCUMENT.

DIMENSIONS: INCHES	TOLERANCES UNLESS OTHERWISE SPECIFIED:	DWN L. BAUM 6/13/03	Tyco Electronics Corporation Harrisburg, PA 17105-3608		
	0 PLC ± -	CHK C. ROHDE 6/13/03			
	1 PLC ± -	APVD M. WALMSLEY 6/13/03			
	2 PLC ± -	NAME			
	3 PLC ± .005	PRODUCT SPEC			
4 PLC ± -	APPLICATION SPEC	SIZE	CAGE CODE	DRAWING NO	RESTRICTED TO
ANGLES ± 2°	FINISH	WEIGHT	A2	00779	C=1658614
MATERIAL	FINISH	CUSTOMER DRAWING	SCALE	SHEET	REV
			4:1	1 of 2	01

THIS DRAWING IS UNPUBLISHED. RELEASED FOR PUBLICATION
 © COPYRIGHT BY TYCO ELECTRONICS CORPORATION. ALL RIGHTS RESERVED.

LOC	DIST	REVISIONS			
P	LTR	DESCRIPTION	DATE	DWN	APVD
GP	00	SEE SHEET 1	-	-	-



CONTACT DETAIL
SCALE 10:1

THIS DRAWING IS A CONTROLLED DOCUMENT.		DWN	L. BAUM	6/13/03	 Tyco Electronics Corporation Harrisburg, PA 17105-3608					
DIMENSIONS: INCHES		CHK	C. ROHDE	6/13/03						
TOLERANCES UNLESS OTHERWISE SPECIFIED:		APVD	M. WALMSLEY	6/13/03						
0 PLC ± - 1 PLC ± - 2 PLC ± - 3 PLC ± .005 4 PLC ± - ANGLES ± 2°		PRODUCT SPEC	NAME			RECEPTACLE ASSEMBLY, LEAD-FREE, AMPLIMITE HDF				
MATERIAL: SEE SHEET 1		FINISH	SEE SHEET 1		WEIGHT: -					
		SIZE		A2	CAGE CODE	00779	DRAWING NO	C=1658614	RESTRICTED TO	-
CUSTOMER DRAWING		SCALE		4:1	SHEET		2 of 2	REV	01	

1658614